

Product Code

Product Code	Max. 210A	Co _{sp}	W A. Power	VA R. Power	VA G. Power	Σ W	Σ VAr	Σ VA	kWh A. Energy	kVArh R. Energy	Dual Energy Measurement	Demand	Digital Input	Energy Pulse	.../5A	CT-25 (210A)	RS-485 Comm.	Pcs / Carton
EPR-03-96																		12
EPR-04-96																		12
EPR-04-DIN																		12
EPR-04S-96																		12
EPR-04S-DIN																		12
EPR-04S-DIN-CT25																		12
ES-25N	Mechanical Energy Counter (25 A)																	10
ES-32L (new)	Digital Energy Counter (32 A)																	10

● Optional - Min. Order Quantity is 200pcs/device.

CT-25 is a Current Transformer, which is used together with EPR-04S-DIN-CT25 model. It is a unique solution, which replaces conventional type CTs up to 210A.

MODELS	EPR-03	EPR-04	EPR-04S
SPECIFICATIONS			
Electrical Parameters			
Operating Voltage(Un)	230 V AC* ±10% , 50/60 Hz		
Network Type	3-phase / 4-wire (Star); 3-phase / 3-wire (Delta)- optional		
Accuracy	1% ±1 digit (W,VA), 2%, ±1 digit (VAr)		
Current Transformer Ratio	5...10.000 / 5A		
Voltage Transformer Ratio	1...2.000		
Measurement Input			
Voltage	10 - 300 V AC (L-N) ; 10 - 500 V AC (L-L)		
Current	50 mA - 5,5 A		
Measurement Ranges			
Power	0 - 900 M (W, VAr, VA)		
Energy	-	9 999 999,99 MWh, MVArh	
Power Consumption	< 4 VA		
Burden	< 1 VA (Current burden), < 0,5 VA (Voltage burden)		
Energy Pulse Output	-	NPN Transistor	
Switch Period	Min. 1,6 sec. (400 msec. pulse width)		
Operating Current	Max. 50 mA		
Operating Voltage	5...24 V DC, Max. 30 V DC		
Digital Input	-	-	2 Digital Inputs
Input Pulse Width	50 msec. (Min.)		
Operation Voltage	5...24 V DC, Max. 30 V DC		
Display	Red LED, 14 mm Height	Red LED, 10 mm Height	
Mechanical Parameters			
Ambient Operating Temperature	-5°C, +50°C		
Dimension	96x96mm (PR19)	96x96mm (PR19), DIN 6 (PK26)	
Weight / each	0,5 kg		
Quantity in 1 package	12 pcs		



EPR-04S-96

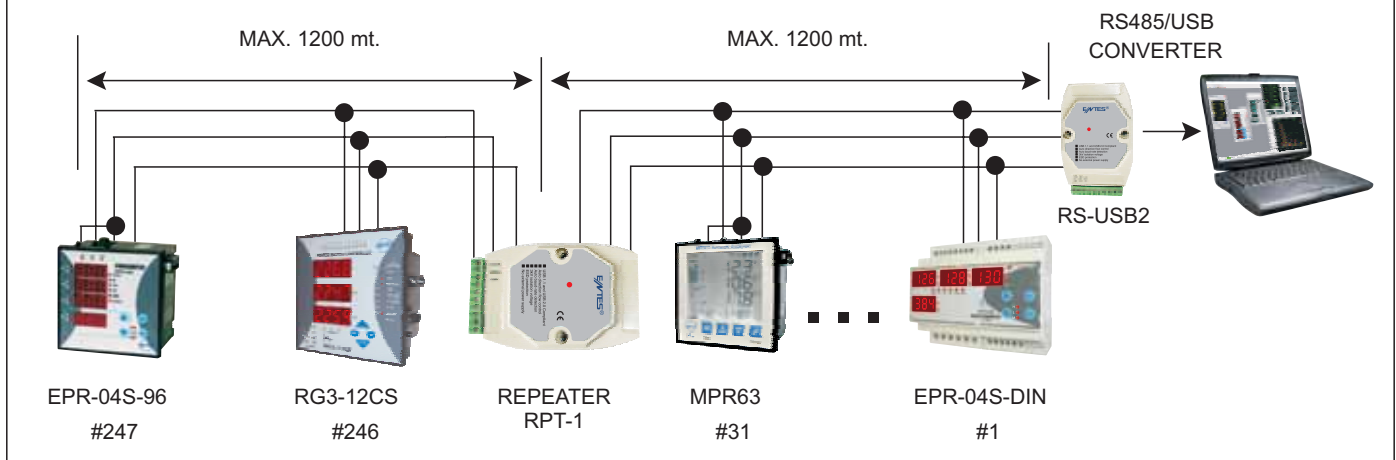
General

- **EPR-03: Digital Powermeter**
EPR-03 measures total active / reactive / apparent power in 1 display.
- **EPR-04: Digital Power and Energymeter**
EPR-04 measures active / reactive / apparent power and active / reactive energy for each phase and cosφ in 4 displays.
- **EPR-04S: Digital Powermeter with RS-485**
In addition to EPR-04 features, EPR-04S has RS-485 communication. Power, energy and cosφ values can be monitored via MPR-SW software.
- **Software**
MPR-SW : Software for monitoring and recording parameters for MPR and EPR Series.

Features

- Non-flammable enclosure
- Double Insulation (□)
- Measurement Category III
- Terminal Connection
- Flush mounting with rear terminals
- IP40 (front panel), IP00 (terminals)
- IEC 61010-1, IEC 61000-6-2, IEC 61000-6-4

247 DEVICES CAN BE CONNECTED SERIALY BY USING A REPEATER



ES-25N

General ES-25N / ES-32L : Watt-Hour Meter

In today's world, Efficient Power Management is very important for low-cost. Measuring process must have been fulfilled with certain accuracy for precise analysing and measuring the energy.

ES-25N / ES-32L measure the active watt hour (kWh) consumption directly and error free in single phase systems and it shows the total watt hour consumption. The most important features of the device are its reliability, small size, light weight, modern design, and easy installation.



ES-32L

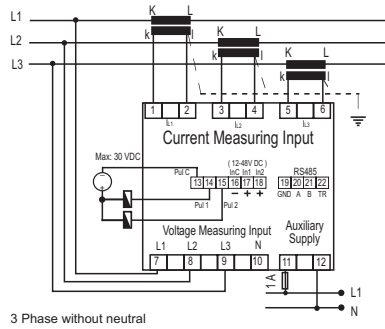
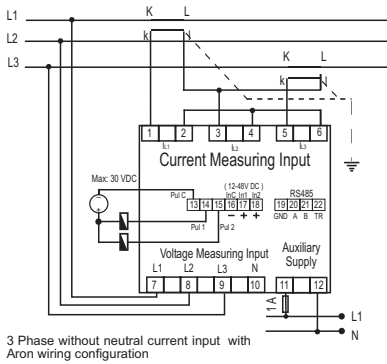
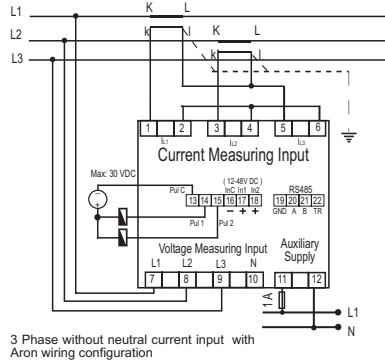
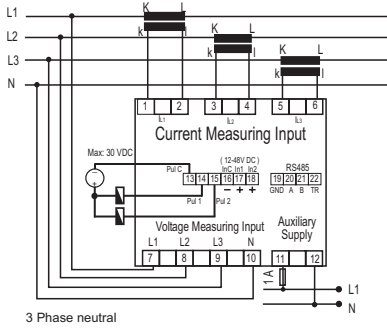
Technical Features	ES-25N Mechanical Energy Counter	ES-32L Digital Energy Counter
Accuracy	Class 1	
Operating Voltage	230 VAC, 50 / 60 Hz.	
Tolerance	-20 % / +15 %	
Operating Current	0,02~25 A	0,02~32 A
Nominal Current	In = 5 A, IMax. = 25 A	In = 5 A, IMax. = 32 A
Min. Rated Current	20 mA	
Frequency Range	50-60 Hz ±%10	
Display	6+1 digit = 999999,9 kWh	
Pulse Output	2000 Imp./kWh	1000 Imp./kWh
Pulse Time	Ti=80 ms.	
Installation	Rail Mount (DIN EN50022)	
Power Consumption	< 2 VA	
Operating Temperature	(-20 °C) - (+65 °C)	
Weight	75 gr. (except package weight)	
EMC		
Surge Voltage Test	4 kV 1.2 / 50 µs. (IEC 1000-4-5)	
Burst Test	4 kV (IEC 1000-4-4)	

DIGITAL POWER & ENERGYMETERS

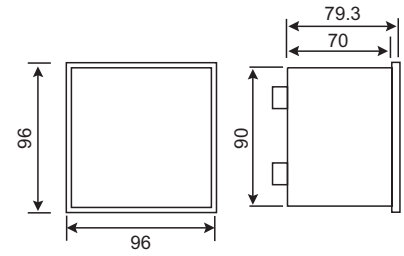
EPR Series / ES-25N

Connection Diagram

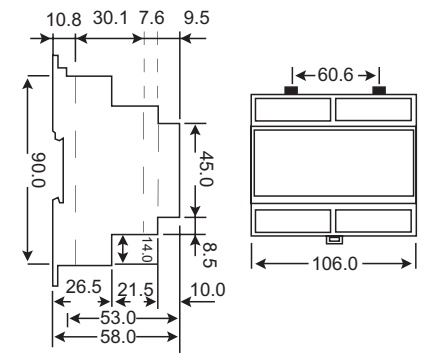
(PR19- 96x96mm)



Dimensions

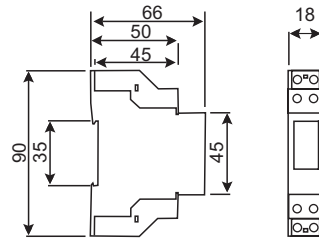
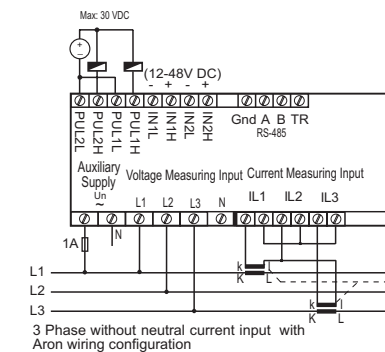
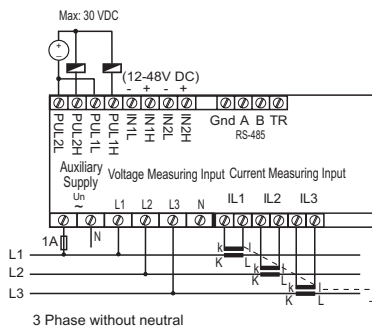
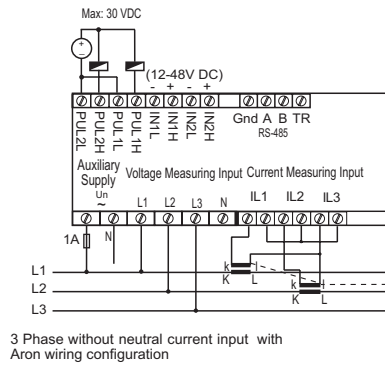
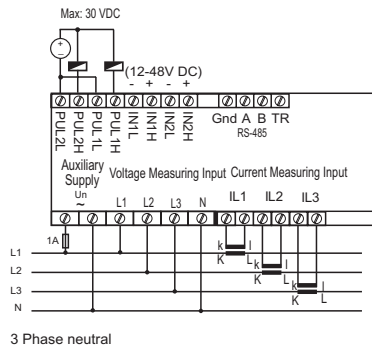


TYPE PR 19



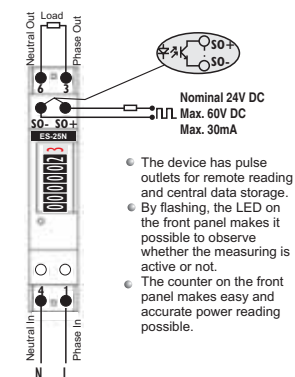
TYPE DIN / PK 26

(PK26 - DIN6)



Note: Should not be used for billing purposes.

Connection Diagram



Connection diagrams are given for reference. Please always check the latest user manual given with product or download from www.entes.com.tr.